

KRGS

ROLLER GRILLES
AND SHUTTERS

est. 2007



FOLDING CLOSURE

Retail and commercial
Suitable for both internal
and external use

The KRGS Folding Closure allows you to have a security concertina doors in any shape and any length. These commercial folding doors have no floor track, eliminating any trip hazards.

Custom made in standard 150mm or 300mm wide panels these concertina doors allow your shop front to become an illusion.

Suitable applications include shopping centres, shop fronts, club and hotel bars, counter tops, kiosks, arcades, serveries, sporting clubs and stadiums, airports, schools and doorways.

The KRGS Folding Closure can be filled with your choice of clear infill, vision mesh or a combination to meet your requirements. The KRGS Folding Closure can be supplied in a vast arrange of sizes and colour finishes to suit all decors.



APPLICATIONS

- Ideal for shopping centres, shop fronts, club and hotel bars, counter tops, kiosks, arcades, serveries, sporting clubs and stadiums, airports, schools and doorways.
- Suitable for openings up to 4200mm in height by any length
- High level of security

ARCHITECTURAL SPECIFICATION

Supply and install Folding Closure manufactured by KRGS Roller Grilles and Shutters 1800 897 822.

A DOOR DESIGN WITH YOU IN MIND

FOLDING CLOSURE

KRGS Folding Closures are especially suited for large openings where a complete open area is desired. Any shop, any size, no floor track is required.

SPECIFICATIONS KRGS Folding Closures are available in the standard 300mm width panel and also in a 150mm panel, to provide versatility to shopfront design.

TRACK is to be constructed from sturdy aluminium 36mm wide by 40mm high, curved track can be supplied with a 600mm (to the centre of the track) standard radius. Special radiuses are available on request. The track has a unique aligning pin and bar system to ensure smooth operation of the closure.

CURTAIN The curtain is constructed of low friction continuous hinges panel in sections up to 3000mm each, these are interlocked and secured on to the locking posts at each end, and sections are then joined via a unique intermediate post system which has bottom only locking to secure it. The panels are in filled with a choice of clear infill panel, opaque infill panel, perforated mesh, open bar grille, solid aluminium or a combination if required.

LOCKING is via a key system which throws a steel rod up through the top track and also one down into a dust proof floor socket that is drilled into the floor. Key Operation is from both inside and out. Multiple doors can also be keyed alike.

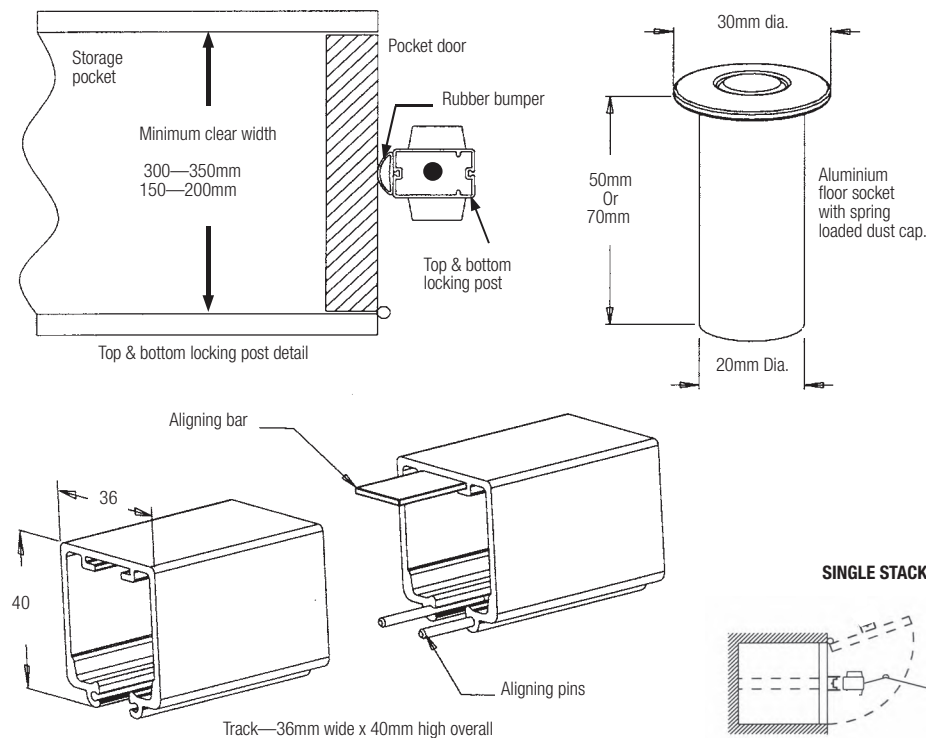
EGRESS a simple emergency egress door can be incorporated into any closed folding closure that has a minimum height of 2250mm, operable with interior single down action handle, panels to swing outwards to create a clear opening of 915mm by 2140mm please consult a KRGS Technician for more information or optional pricing.

WEIGHT AND STACKING Door weight is 45kg/ lineal metre. For door stack sizing refer to the Technical Data Sheet

OPERATION All folding closures are manual operation. The closure is designed so that all modes of operation and locking is at the user standing level.

FINISH Clear anodised is the standard, whilst Dulux powder coat range is available as an optional extra.

PLAN DETAILS



WARRANTY A 12 month warranty against defective materials and workmanship applies.
NOTE KRGS ROLLER GRILLES AND SHUTTERS HAS A CONTINUOUS PROGRAM OF DEVELOPMENT SIZES OR CONFIGURATION OF PRODUCT MAY CHANGE AT ANY TIME.
FOR THE LATEST IN DESIGN AND SPECIFICATION PLEASE CONSULT WITH KRGS BY CALLING US.



A DOOR DESIGN WITH YOU IN MIND

SYDNEY 8 Enterprise Circuit
Prestons NSW 2170
Phone 02 9608 9888
1800 987 822

Fax 02 9608 9333
Email sales@krgsdoors.com.au
Web www.krgsdoors.com.au

MELBOURNE Phone 0477 800 094
Email sales@krgsdoors.com.au
BRISBANE Phone 0447 710 947
Email sales@krgsdoors.com.au

ADELAIDE Phone 0474 418 168
Email sales@krgsdoors.com.au
PERTH Phone 0406 661 376
Email sales@krgsdoors.com.au

KRGS
ROLLER GRILLES
AND SHUTTERS