

KRGS

ROLLER GRILLES
AND SHUTTERS

est. 2007



CLEARBREEZE BI FOLDING DOOR

Retail and commercial
Suitable for both internal
and external use

The KRGS Clearbreeze Bi Folding Door is a most versatile innovative door and wall system free from mullions and restrictive pillars, providing the ultimate in practical side folding doors. No Floor track required = no trip hazard. Ideal for Commercial or Residential. The Clearbreeze adjustable louvres allows air flow and privacy when needed. Open your business to passing trade and enjoy the freedom to provide a contemporary al fresco atmosphere or easily partition large areas within your building to create several rooms that can be easily opened or closed.

Suitable applications include shopping centres, shop fronts, club and hotel bars, counter tops, kiosks, arcades, serveries, sporting clubs and stadiums, airports, schools, doorways and residential

The KRGS Clearbreeze Bi Folding Door is filled with adjustable louvre blade. The KRGS Clearbreeze Bi Folding Door can be supplied in a vast arrange of sizes and colour finishes to suit all decors.

APPLICATIONS

- Ideal for shopping centres, shop fronts, club and hotel bars, counter tops, kiosks, arcades, serveries, sporting clubs and stadiums, airports, schools, doorways and residential
- Suitable for openings up to 4200mm in height by any length
- Allows airflow and privacy when needed

ARCHITECTURAL SPECIFICATION

Supply and install Clearbreeze Bi folding Doors manufactured by KRGS Roller Grilles and Shutters 1800 897 822.

A DOOR DESIGN WITH YOU IN MIND

CLEARBREEZE BI FOLDING DOOR

KRGS
ROLLER GRILLES
AND SHUTTERS

The KRGS Clearbreeze is a most versatile innovative door and wall system free from mullions and restrictive pillars, providing the ultimate in practical side folding doors. Ideal for Commercial or Residential. The KRGS Clearbreeze adjustable louvres allows air flow and privacy when needed. No Floor track required = no trip hazard.

SPECIFICATIONS KRGS Clearbreeze is available with custom made panel widths to provide versatility to shopfront design. Up to 4200 in height at any length.

TRACK is to be constructed from sturdy extruded aluminium, 45mm wide by 65mm high. The track has a unique aligning pin and bar system to ensure smooth operation of the closure.

CURTAIN The curtain is constructed of Extruded Aluminium Framing. The panels is filled with adjustable louvre blade. Joined with stainless steel hinges.

LOCKING is via a key system which throws a steel rod into the dust proof floor socket, which is drilled into the floor. Key operation is from both inside and out, multiple doors can also be keyed alike.

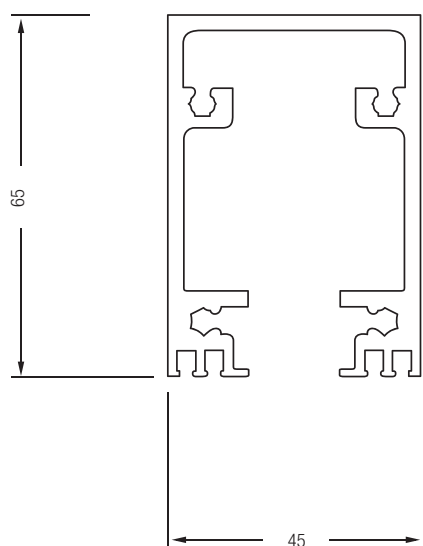
WEIGHT AND STACKING Door weights are approximately 45kg/1m. Always contact KRGS Technician for accurate stacking details.

OPERATION All folding closures are manual operation. The closure is designed so that all modes of operation and locking with user standing entry.

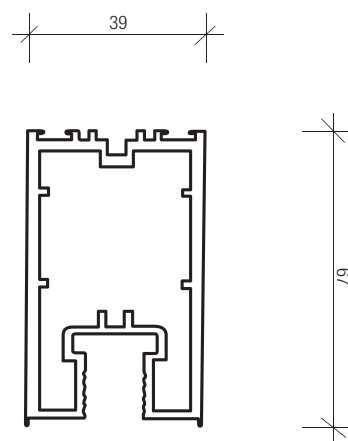
FINISH Powder coated white is the standard, whilst other Dulux powder coat range is available as an optional extra.

LOOK The overall look is one of a sophisticated and elegant wall of airflow or quickly adjusted to privacy.

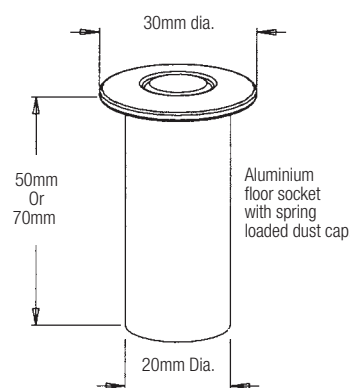
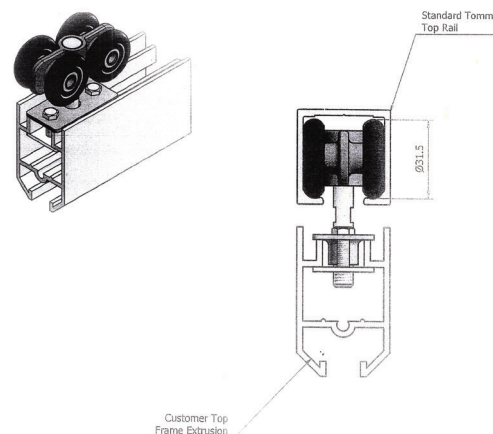
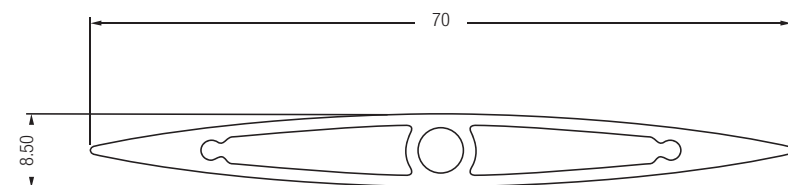
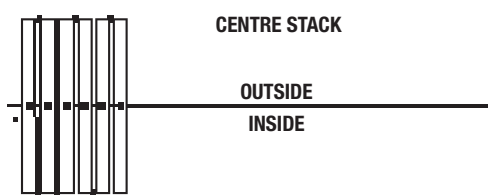
DOOR TRACK



DOOR FRAME



CENTRE STACK



WARRANTY A 12 month warranty against defective materials and workmanship applies.

NOTE KRGS ROLLER GRILLES AND SHUTTERS HAS A CONTINUOUS PROGRAM OF DEVELOPMENT SIZES OR CONFIGURATION OF PRODUCT MAY CHANGE AT ANY TIME. FOR THE LATEST IN DESIGN AND SPECIFICATION PLEASE CONSULT WITH KRGS BY CALLING US.

A DOOR DESIGN WITH YOU IN MIND

SYDNEY 8 Enterprise Circuit
Prestons NSW 2170
Phone 02 9608 9888
1800 987 822

Fax 02 9608 9333
Email sales@krgsdoors.com.au
Web www.krgsdoors.com.au

MELBOURNE Phone 0477 800 094
Email sales@krgsdoors.com.au
BRISBANE Phone 0447 710 947
Email sales@krgsdoors.com.au

ADELAIDE Phone 0474 418 168
Email sales@krgsdoors.com.au
PERTH Phone 0406 661 376
Email sales@krgsdoors.com.au

KRGS
ROLLER GRILLES
AND SHUTTERS