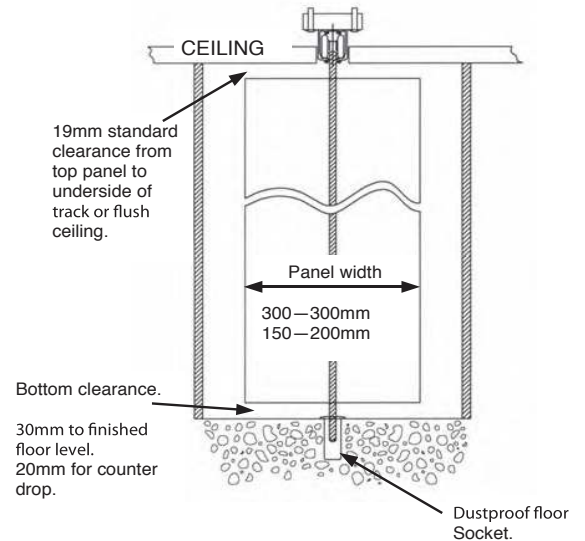


150-300 SERIES FOLDING CLOSURES

Standard clearance and fixing details

- Maximum height available is 4200mm overall from top of track to finished floor level.
- Section details.
 - Typical support 50mm x 150mm header. Supported by 10mm threaded rod at 900mm centres, by others. (Shopfitter / Builder)
 - Threaded rod at 300mm centres inside storage pocket stacking area.



- Plan details.

