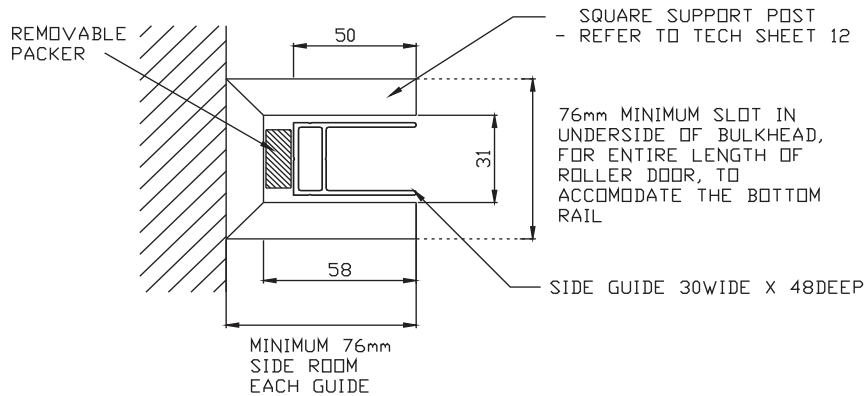


MOTORISED ALUMINIUM ROLLER SHUTTER ALTERNATIVE COLUMN DETAILS

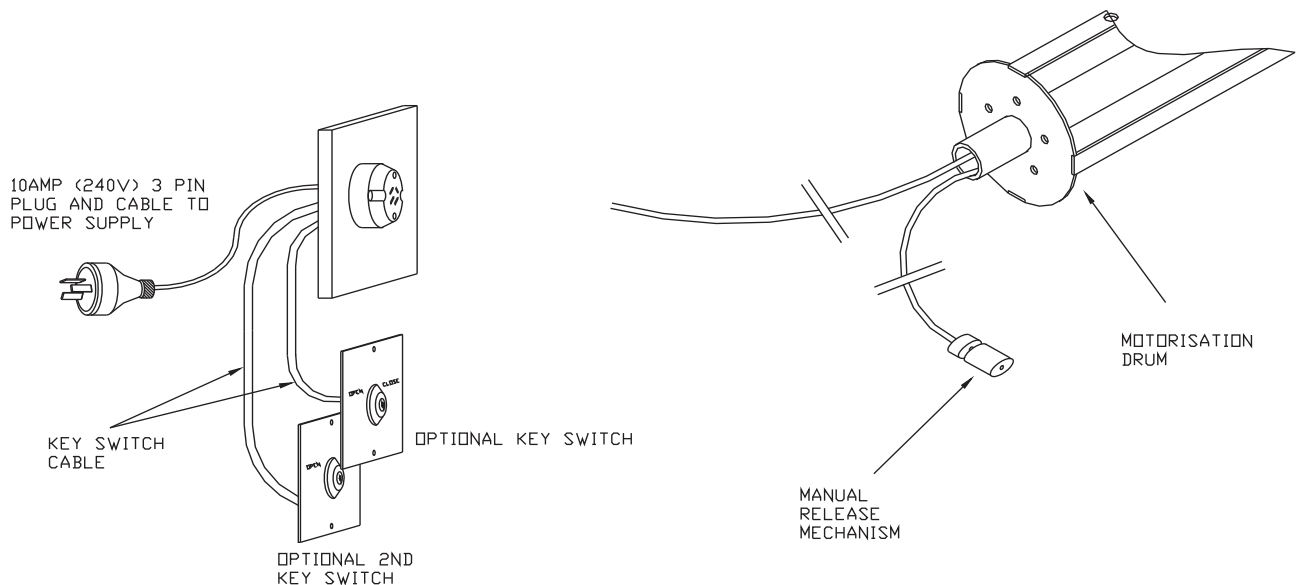


IMPORTANT

WHEN USING THIS DETAIL, THE BULKHEAD MUST BE SUFFICIENTLY STRUCTURAL TO SUPPORT THE WEIGHT OF THE MOTORIZED DOOR

WHEN USING THIS DETAIL, THE MOTOR'S MANUAL RELEASE CAN ONLY BE LOCATED IN THE BULKHEAD - IT CANNOT BE MOUNTED WITHIN THE CAVITY OF THE KRGS SUPPORT POST DUE TO INSUFFICIENT SPACE

MOTORISED ALUMINIUM ROLLER SHUTTER PLUG ASSEMBLY



KRGS HAS A CONTINUOUS PROGRAM OF PRODUCT DEVELOPMENT AND RESERVES THE RIGHT TO CHANGE SPECIFICATIONS AT ANY TIME WITHOUT NOTICE

- PLEASE NOTE:
1. KRGS SHUTTERS MUST BE INSTALLED TO STRUCTURAL SUPPORTS
i.e. RHS STEEL POSTS, CORE FILLED MASONRY, TILT UP CONCRETE PANELS
 2. ALL STRUCTURAL SUPPORTS FOR BRACKETS AND SIDE GUIDES TO BE PROVIDED BY OTHERS