

OPERATIONAL CLEARANCE TO SUIT

- ALUMINIUM - SECURITY ROLLER GRILLES
- ALUMINIUM - CLEARVISION ROLLER SHUTTERS
- ALUMINIUM - SERIES2 ROLLER SHUTTERS

## SUGGESTED COLUMN DETAILS MANUALLY OPERATED BY HAND TO SUIT

MINIMUM

### OUTSIDE

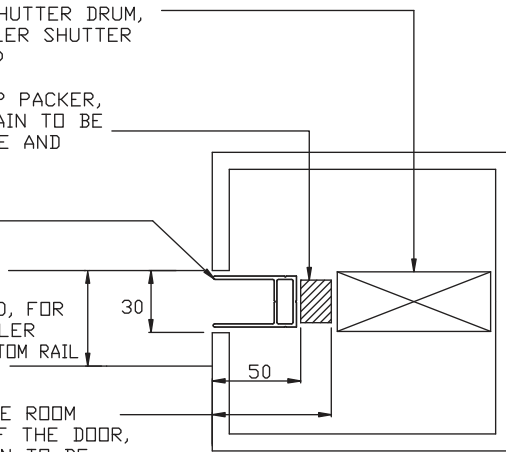
TIMBER STUD FIXED BETWEEN THE FLOOR AND THE BUILDING STRUCTURE ABOVE THE ROLLER SHUTTER DRUM, TO SUPPORT THE ROLLER SHUTTER (SUPPLIED BY OTHERS)

REMOVABLE 18MM DEEP PACKER, TO ENABLE THE CURTAIN TO BE REMOVED FOR SERVICE AND MAINTENANCE

STANDARD SIDE GUIDE 30WIDE X 50DEEP

45mm MINIMUM SLOT IN UNDERSIDE OF BULKHEAD, FOR ENTIRE LENGTH OF ROLLER SHUTTER DOOR, TO ACCOMMODATE BOTTOM RAIL

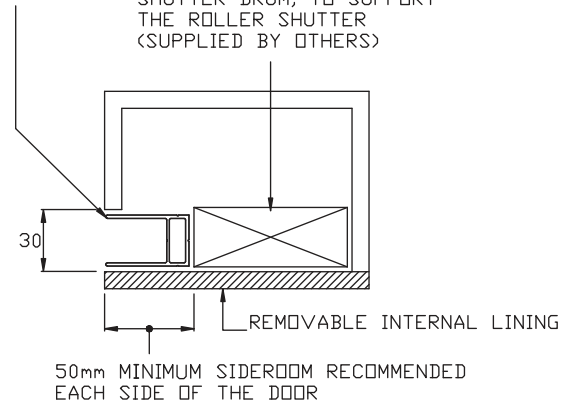
75mm RECOMMENDED SIDE ROOM REQUIRED EACH SIDE OF THE DOOR, TO ENABLE THE CURTAIN TO BE REMOVED FOR SERVICE AND MAINTENANCE



ALTERNATIVE 1

STANDARD SIDE GUIDE 30WIDE X 50DEEP

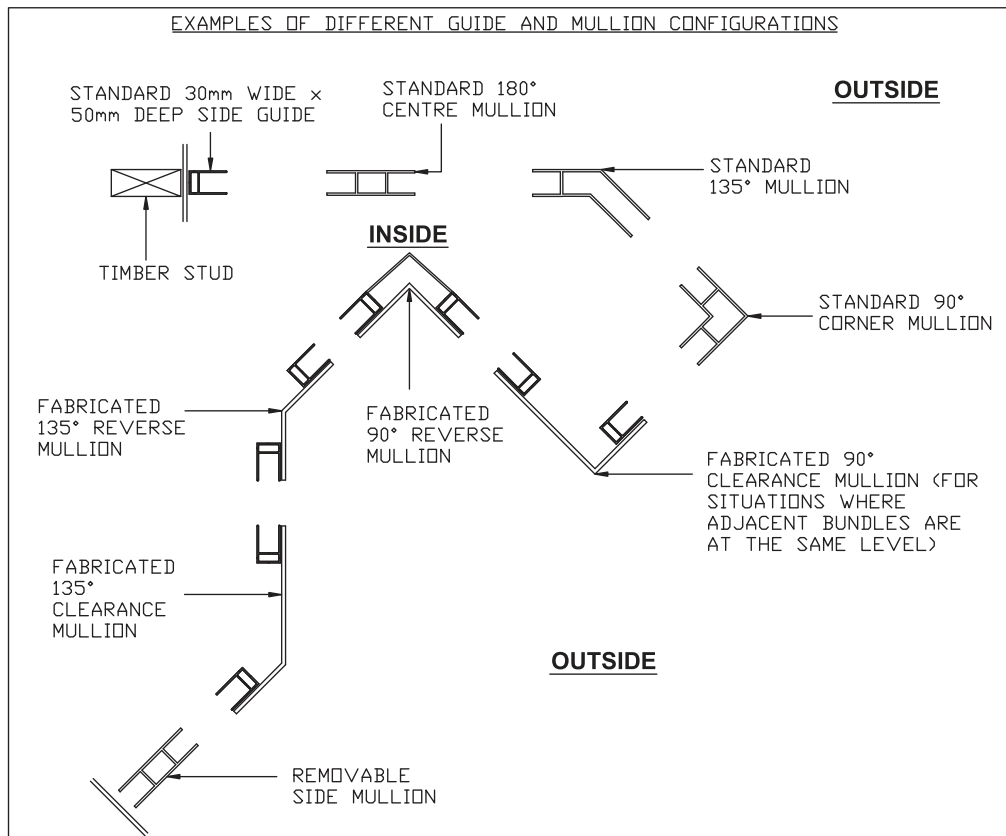
TIMBER STUD FIXED BETWEEN THE FLOOR AND THE BUILDING STRUCTURE ABOVE THE ROLLER SHUTTER DRUM, TO SUPPORT THE ROLLER SHUTTER (SUPPLIED BY OTHERS)



ALTERNATIVE 2

### INSIDE

#### EXAMPLES OF DIFFERENT GUIDE AND MULLION CONFIGURATIONS



### OUTSIDE

### OUTSIDE

KRGS HAS A CONTINUOUS PROGRAM OF PRODUCT DEVELOPMENT AND RESERVES THE RIGHT TO CHANGE SPECIFICATIONS AT ANY TIME WITHOUT NOTICE

- PLEASE NOTE:
1. KRGS SHUTTERS MUST BE INSTALLED TO STRUCTURAL SUPPORTS  
i.e. RHS STEEL POSTS, CORE FILLED MASONRY, TILT UP CONCRETE PANELS
  2. ALL STRUCTURAL SUPPORTS FOR BRACKETS AND SIDE GUIDES TO BE PROVIDED BY OTHERS