

KRGS

ROLLER GRILLES
AND SHUTTERS

est. 2007



MOBILE TRELLIS BARRIER

Retail and commercial
Suitable for both internal
and external use

The KRGS Mobile Trellis Barrier allows you to have a versatile trackless barrier at any length. These commercial Mobile Trellis Barrier doors have no floor track or head track, eliminating any trip hazards or the need for bulkheads. Simply wheel the Mobile Barrier away when not needed eliminating the need for a storage space at the front of your premises.

Custom made in standard height of 2000mm are a proven deterrent as well as maintain the ambience of your location

Suitable applications include shopping centres, shop fronts, club and hotel bars, counter tops, kiosks, arcades, serveries, sporting clubs and stadiums, airports, schools, crowd control and doorways.

Mobile Trellis Barriers are supplied in a eco friendly Satin Black powdercoating.

APPLICATIONS

- Ideal for shopping centres, shop fronts, club and hotel bars, counter tops, kiosks, arcades, serveries, sporting clubs and stadiums, airports, schools, crowd control and doorways.
- Standard height of 2000mm in height by any length
- High level of security

ARCHITECTURAL SPECIFICATION

Supply and install Mobile Trellis Barrier manufactured by KRGS Roller Grilles and Shutters 1800 897 822.



A DOOR DESIGN WITH YOU IN MIND

MOBILE TRELLIS BARRIER

KRGS

ROLLER GRILLES
AND SHUTTERS

KRGS Mobile Trellis Barrier are designed to be completely trackless, it can be removed from where it is being used and stored out of sight

CURTAIN the curtain is constructed from heavy duty steel 20mm x 20mm square bars, these are joined by 40mm x 40mm square steel uprights that operate on reinforced ball bearing caster and rubber tyres. All casters have a foot lock for added safety. The wheels are secured to the curtain via a 460mm T bar foot to add stability.

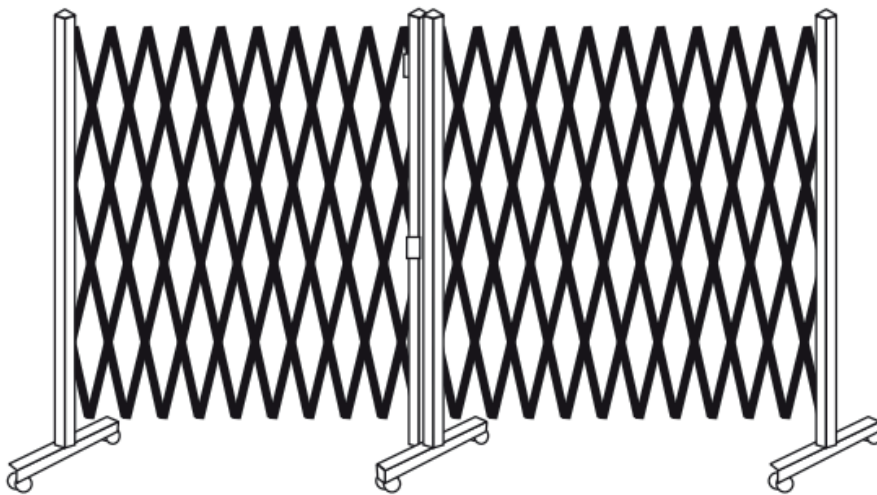
Available in 2 panel sizes 3000mm wide or 2000mm wide by 2000mm high. Larger openings can be fitted with multiple joined panels.

LOCKING is via drop bolts that lock into the stainless steel floor plate at the base of each upright to provide extra stability and security. The Mobile Trellis Barrier can also be fixed to the wall at one end and be securely locked to the floor at the opposite end with the drop bolt. All locking is secured via padlocks (supplied by others)

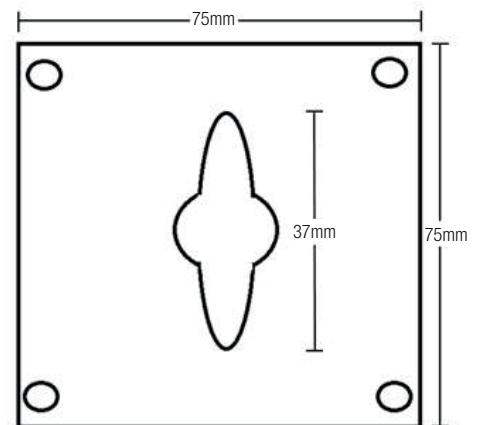
WEIGHT AND STACKING Door weights are approximately 48kg for the 2000mm x 2000mm and 52kg for the 3000mm x 2000mm Always contact KRGS Technician for accurate stacking details.

OPERATION All mobile trellis barriers are manual operation. The barrier is designed so that all modes of operation and locking is at the user standing level.

FINISH Eco friendly powdercoat Satin Black is the standard



FLOOR LOCKING PLATE



ASOFIA

WARRANTY A 12 month warranty against defective materials and workmanship applies.

NOTE KRGS ROLLER GRILLES AND SHUTTERS HAS A CONTINUOUS PROGRAM OF DEVELOPMENT SIZES OR CONFIGURATION OF PRODUCT MAY CHANGE AT ANY TIME. FOR THE LATEST IN DESIGN AND SPECIFICATION PLEASE CONSULT WITH KRGS BY CALLING US.

A DOOR DESIGN WITH YOU IN MIND

SYDNEY 8 Enterprise Circuit
Prestons NSW 2170
Phone 02 9608 9888
1800 987 822

Fax 02 9608 9333
Email sales@krgsdoors.com.au
Web www.krgsdoors.com.au

MELBOURNE **Phone** 0477 800 094
Email sales@krgsdoors.com.au
BRISBANE **Phone** 0447 710 947
Email sales@krgsdoors.com.au

ADELAIDE **Phone** 0474 418 168
Email sales@krgsdoors.com.au
PERTH **Phone** 0406 661 376
Email sales@krgsdoors.com.au

KRGS
ROLLER GRILLES
AND SHUTTERS