

KRGS

ROLLER GRILLES
AND SHUTTERS

est. 2007



HIGH SECURITY GRILLE

Retail and commercial
Suitable for both internal
and external use

The KRGS High Security Grille is constructed from 12mm aluminium extrusion tubing connected with a 10mm wide clear nylon extruded links creating a symmetrical, brick like pattern. Offering unobstructed visibility and airflow.

Suitable applications include shopping centres, shop fronts, club and hotel bars, counter tops, kiosks, arcades, serveries, sporting clubs and stadiums, airports, schools and doorways.

The KRGS High Security Grille can be supplied in a vast arrange of sizes and colour finishes to suit all decors.

APPLICATIONS

- Ideal for shopping centres, shop fronts, club and hotel bars, counter tops, kiosks, arcades, serveries, sporting clubs and stadiums, airports, schools and doorways.
- Suitable for openings up to up to 3600mm x 3000 (manual) and 6000mm x 4000mm (motorised)
- High level of security

ARCHITECTURAL SPECIFICATION

Supply and install High Security Grille manufactured by KRGS Roller Grilles and Shutters 1800 897 822.



A DOOR DESIGN WITH YOU IN MIND

HIGH SECURITY GRILLE

KRGS
ROLLER GRILLES
AND SHUTTERS

KRGS High Security Grille offers security, while allowing maximum airflow and visibility.

CURTAIN The curtain is constructed of heavy duty 12mm aluminium tubing connected by tough extruded polycarbonate links. The Links are riveted to the aluminium tubing at brick pattern jugged spacings to provide strength as well as a pleasing appearance.

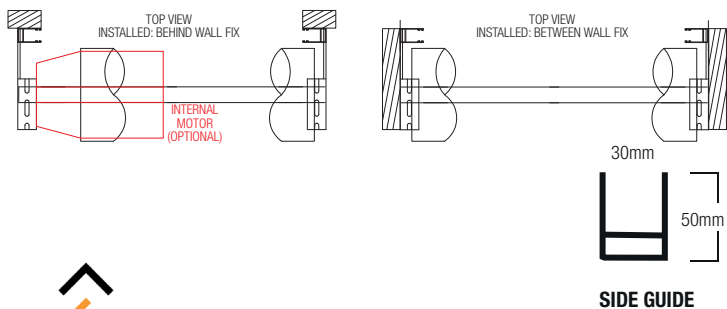
BOTTOM RAIL The bottom rail is manufactured from an extruded aluminium section 90mm in height and 20mm in width. The locking mechanism for the shutter is concealed in this rail and can be key-operated from both sides.

LOCKING is a two way key mortice lock mounted in the centre of the bottom rail, that slides a steel shoot bolt out into the side guides. Standard locking position allows for operation from both inside and out. Multiple doors can also be keyed alike.

SIDE GUIDES are 50mm deep by 30mm wide extruded aluminium suitable for face fit or through the mouth of the guide if fitted between walls.

DIMENSIONS

DOOR HEIGHT	DRUM 229MM	
	ROLL DIAMETER	CENTRE OF AXLE FROM WALL
900	310	165
1200	315	167
1500	325	172
1800	330	175
2100	350	185
2400	365	192
2700	375	197
3000	380	200
3300	390	205
3600	420	220
4000	440	230



MULLIONS The standard 180 degree mullion is manufactured from an extruded aluminium section 150mm wide x 30mm; a steel shoot bolt secures the mullion into the floor. Special mullions are also available to suit a variety of degrees and applications. Special wide mullions can be manufactured to suit any angle shall be fabricated with 1.6mm aluminium sheet securely fitted to our standard side guides for angle openings where doors need to be stacked.

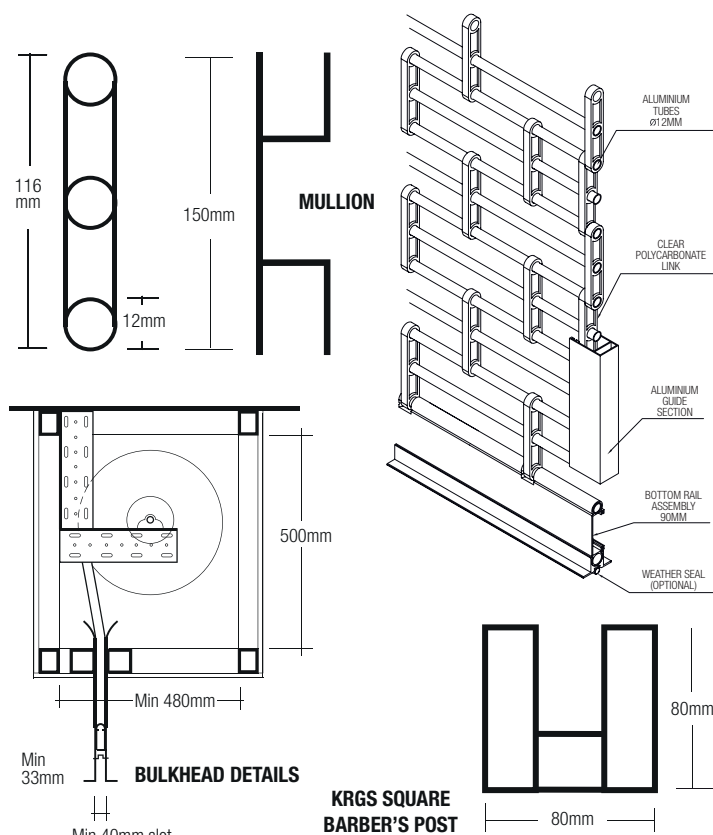
BRACKETS are manufactured from slotted 90mm x 40mm mild galvanized steel.

DRUM The drum is manufactured using a 150mm diameter tube if manual or if motorised it is a 229mm diameter tube with an internal spring designed to counterbalance the operation of the shutter.

OPERATION Manual operation, push-up and pull-down with supplied pull stick. Shutters can be electrically motorised with key switch. Optional Battery Backup System available.

FINISH Clear anodised is the standard, whilst Dulux powder coat range is available as an optional extra.

LINKS are available in clear finish to suit and compliment most decor.



WARRANTY A 12 month warranty against defective materials and workmanship applies.
NOTE KRGS ROLLER GRILLES AND SHUTTERS HAS A CONTINUOUS PROGRAM OF DEVELOPMENT SIZES OR CONFIGURATION OF PRODUCT MAY CHANGE AT ANY TIME.
FOR THE LATEST IN DESIGN AND SPECIFICATION PLEASE CONSULT WITH KRGS BY CALLING US.



A DOOR DESIGN WITH YOU IN MIND

SYDNEY 8 Enterprise Circuit
Prestons NSW 2170
Phone 02 9608 9888
1800 987 822

Fax 02 9608 9333
Email sales@krgsdoors.com.au
Web www.krgsdoors.com.au

MELBOURNE **Phone** 0477 800 094
Email sales@krgsdoors.com.au
BRISBANE **Phone** 0447 710 947
Email sales@krgsdoors.com.au

ADELAIDE **Phone** 0474 418 168
Email sales@krgsdoors.com.au
PERTH **Phone** 0406 661 376
Email sales@krgsdoors.com.au

KRGS
ROLLER GRILLES
AND SHUTTERS