

# KRGS

ROLLER GRILLES  
AND SHUTTERS

*est. 2007*



## CLEARBREEZE BI FOLDING DOOR

Retail and commercial  
Suitable for both internal  
and external use

The KRGS Clearbreeze Bi Folding Door is a most versatile innovative door and wall system free from mullions and restrictive pillars, providing the ultimate in practical side folding doors. No Floor track required = no trip hazard. Ideal for Commercial or Residential. The Clearbreeze adjustable louvres allows air flow and privacy when needed. Open your business to passing trade and enjoy the freedom to provide a contemporary al fresco atmosphere or easily partition large areas within your building to create several rooms that can be easily opened or closed.

Suitable applications include shopping centres, shop fronts, club and hotel bars, counter tops, kiosks, arcades, serveries, sporting clubs and stadiums, airports, schools, doorways and residential

The KRGS Clearbreeze Bi Folding Door is filled with adjustable louvre blade. The KRGS Clearbreeze Bi Folding Door can be supplied in a vast arrange of sizes and colour finishes to suit all decors.

### APPLICATIONS

- Ideal for shopping centres, shop fronts, club and hotel bars, counter tops, kiosks, arcades, serveries, sporting clubs and stadiums, airports, schools, doorways and residential
- Suitable for openings up to 4200mm in height by any length
- Allows airflow and privacy when needed

### ARCHITECTURAL SPECIFICATION

Supply and install Clearbreeze Bi folding Doors manufactured by KRGS Roller Grilles and Shutters 1800 897 822.

**A DOOR DESIGN WITH YOU IN MIND**

# CLEARBREEZE BI FOLDING DOOR

**KRGS**  
ROLLER GRILLES  
AND SHUTTERS

The KRGS Clearbreeze is a most versatile innovative door and wall system free from mullions and restrictive pillars, providing the ultimate in practical side folding doors. Ideal for Commercial or Residential. The KRGS Clearbreeze adjustable louvres allows air flow and privacy when needed. No Floor track required = no trip hazard.

**SPECIFICATIONS** KRGS Clearbreeze is available with custom made panel widths to provide versatility to shopfront design. Up to 4200 in height at any length.

**TRACK** is to be constructed from sturdy extruded aluminium, 45mm wide by 65mm high. The track has a unique aligning pin and bar system to ensure smooth operation of the closure.

**CURTAIN** The curtain is constructed of Extruded Aluminium Framing. The panels is filled with adjustable louvre blade. Joined with stainless steel hinges.

**LOCKING** is via a key system which throws a steel rod into the dust proof floor socket, which is drilled into the floor. Key operation is from both inside and out, multiple doors can also be keyed alike.

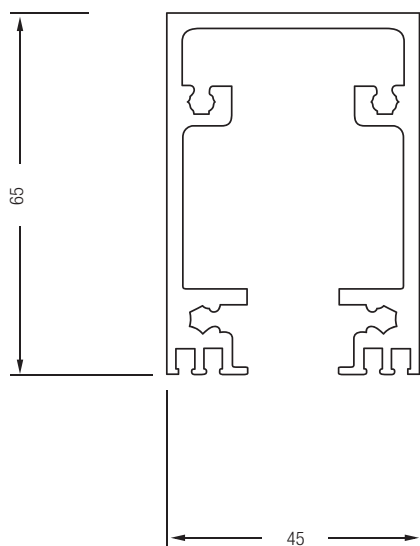
**WEIGHT AND STACKING** Door weights are approximately 45kg/1m. Always contact KRGS Technician for accurate stacking details.

**OPERATION** All folding closures are manual operation. The closure is designed so that all modes of operation and locking with user standing entry.

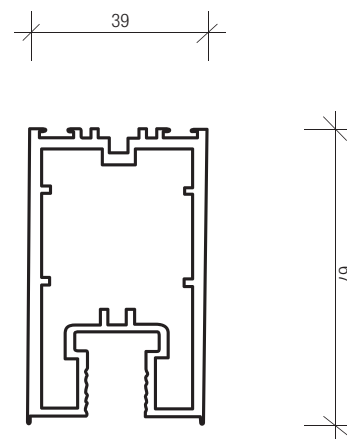
**FINISH** Powder coated white is the standard, whilst other Dulux powder coat range is available as an optional extra.

**LOOK** The overall look is one of a sophisticated and elegant wall of airflow or quickly adjusted to privacy.

## DOOR TRACK

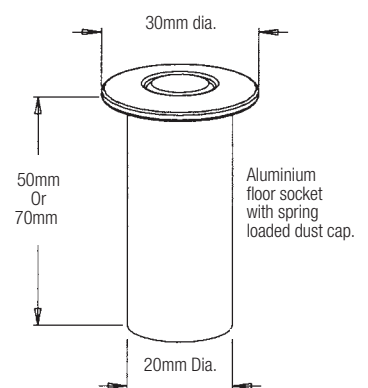
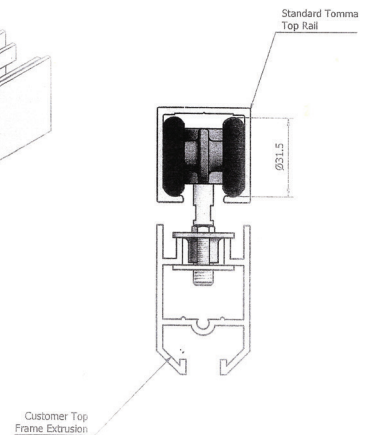
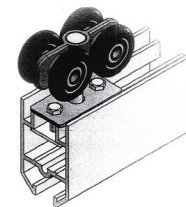
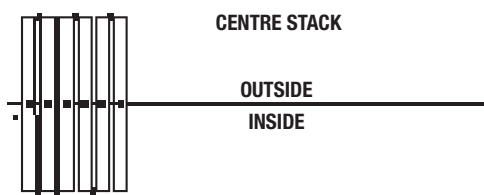


## DOOR FRAME



## CENTRE STACK

OUTSIDE  
INSIDE



**WARRANTY** A 12 month warranty against defective materials and workmanship applies.  
**NOTE** KRGS ROLLER GRILLES AND SHUTTERS HAS A CONTINUOUS PROGRAM OF DEVELOPMENT SIZES OR CONFIGURATION OF PRODUCT MAY CHANGE AT ANY TIME.  
FOR THE LATEST IN DESIGN AND SPECIFICATION PLEASE CONSULT WITH KRGS BY CALLING US.



## A DOOR DESIGN WITH YOU IN MIND

**SYDNEY** 8 Enterprise Circuit  
Prestons NSW 2170  
**Phone** 02 9608 9888  
1800 987 822

**Fax** 02 9608 9333  
**Email** sales@krgsdoors.com.au  
**Web** www.krsgdoors.com.au

**MELBOURNE** **Phone** 0477 800 094  
**Email** sales@krgsdoors.com.au  
**BRISBANE** **Phone** 0447 710 947  
**Email** sales@krgsdoors.com.au

**ADELAIDE** **Phone** 0474 418 168  
**Email** sales@krgsdoors.com.au  
**PERTH** **Phone** 0406 661 376  
**Email** sales@krgsdoors.com.au

**KRGS**  
ROLLER GRILLES  
AND SHUTTERS